

Marcel Dining Chair

Part # DC-MARCL XX+XX

18-1010

PARTS



A



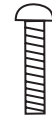
B



C

x1
(M6x30)

D

x4
(M6x45)

E



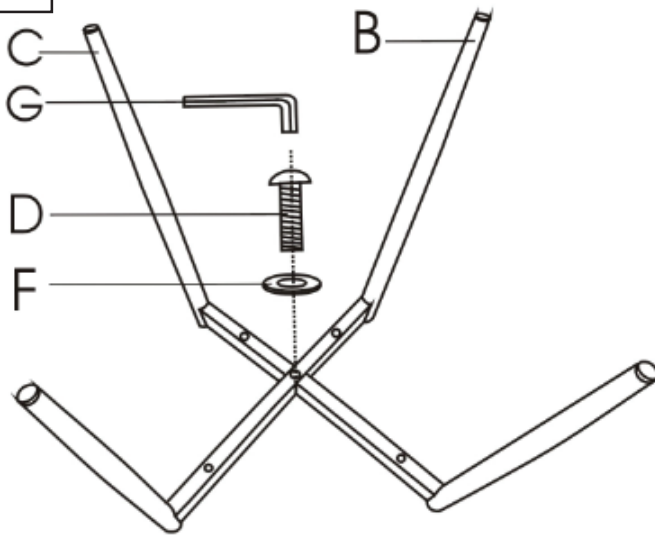
x5

F

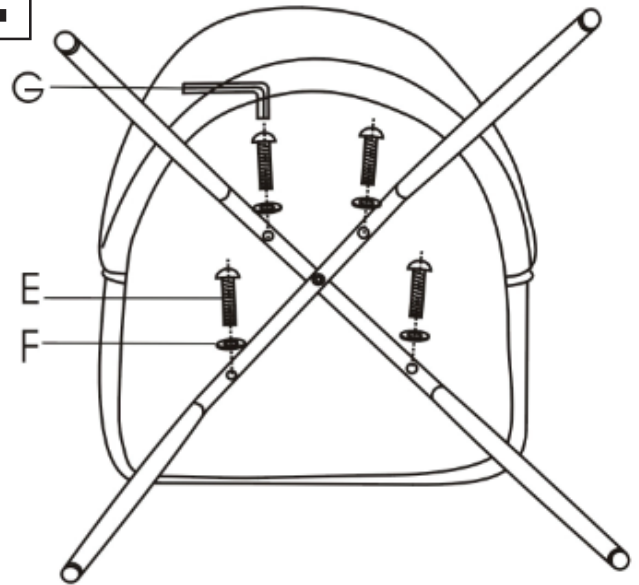


G

1



2



3



Do not over tighten.
Do not use power tools to assemble.